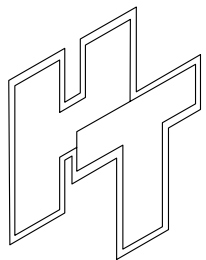
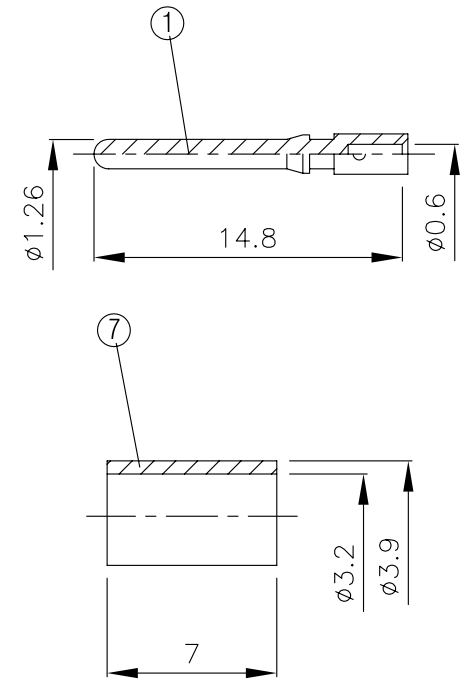
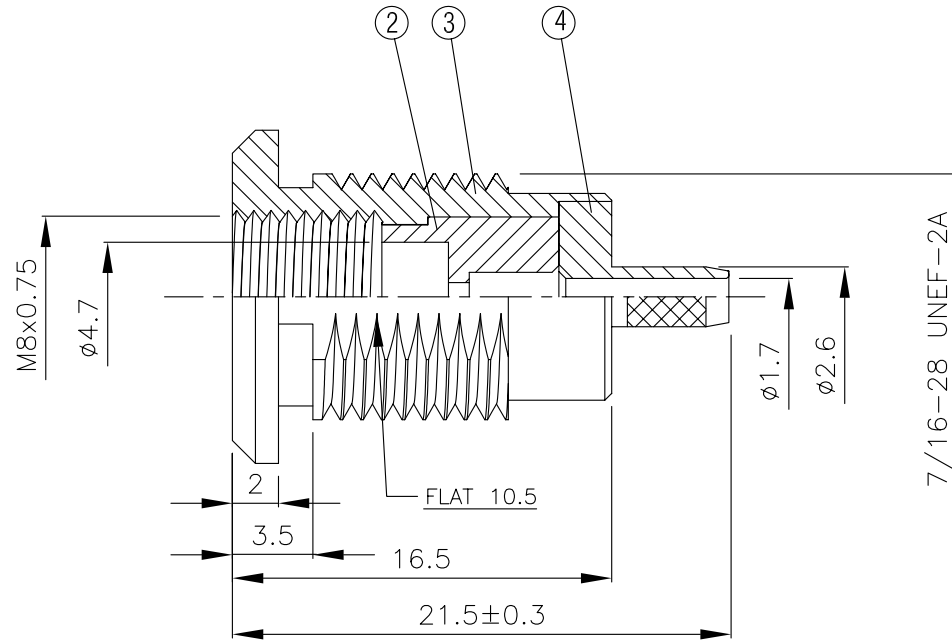
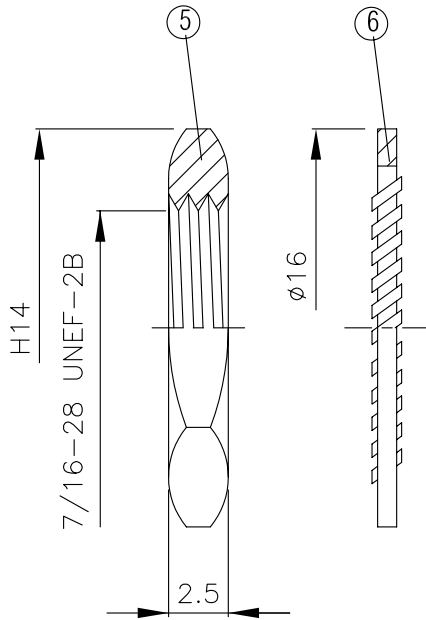
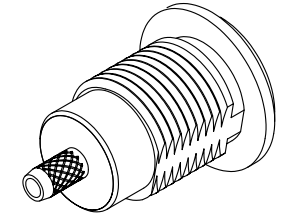
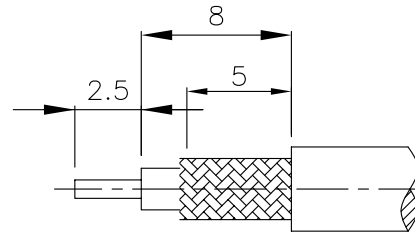


NO	DESCRIPTION	MATERIAL	Q'TY	FINISH	REMARK
1	PIN	BRASS	1	GOLD	P-FME0005-G
2	INSULATION	TEFLON	1	TEFLON	I-0500T
3	BODY 1	BRASS	1	NICKEL	B-FME1134-N
4	BODY 2	BRASS	1	NICKEL	B-FME0417-N
5	NUT	BRASS	1	NICKEL	N-0017-N
6	WASHER	BRASS	1	NICKEL	W-0028-N
7	RING	BRASS	1	NICKEL	R-0001-N



HUS-TSAN GROUP CO., LTD.

P.O. BOX 40-76. TAINAN. TAIWAN, R.O.C.

TITLE FME MALE CRIMP FOR  
RG-174/U, 316/U

PART NO. FME-48LV1-TGN

DRAWING NO. FME 48LV1 TGN

DRAWN MARY DATE 95.11.30

CHECKED 蘇姿潔 DATE

Q.A. 馮健華 DATE

APPROVAL 徐燦霖 DATE

REVISION DATE

DIMENSIONS ARE IN MILLIMETERS

UNLESS OTHERWISE SPECIFIED  
TOLERANCE

0.5-5 =  $\pm 0.2$  120-315 =  $\pm 1$

5-30 =  $\pm 0.4$  315-1000 =  $\pm 1.6$

30-120  $\pm 0.6$  1000-2000 =  $\pm 2.4$

SCALE 4:1 SIZE A

REVISION

DESCRIPTION ENGINEER

D

C

B

A

D

C

B

A

4

3

2

1